

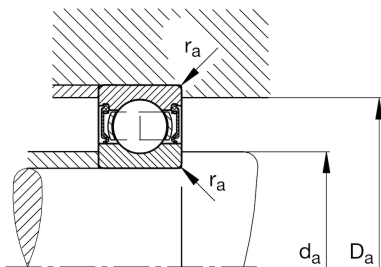
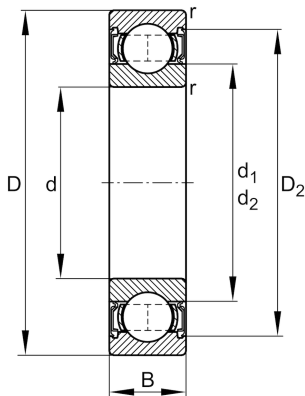
FAG

6211-2RSR

Deep groove ball bearing

Schaeffler ID:
0167208140000Deep groove ball bearing 62...-2RSR,
single row, seals, steel sheet metal cage

Technical information

**Dimensions**

r_{\min}	1.5 mm	Minimum chamfer dimension
D_2	88.2 mm	Caliber diameter outer ring
d_1	68.7 mm	Shoulder diameter inner ring
	0.61 kg	Weight

Main Dimensions & Performance Data

d	55 mm	Bore diameter
D	100 mm	Outside diameter
B	21 mm	Width
C_r	46,000 N	Basic dynamic load rating, radial
C_{0r}	29,000 N	Basic static load rating, radial
C_{ur}	1,770 N	Fatigue load limit, radial
n_G	3,900 1/min	Limiting speed

Mounting dimensions

$d_{a\min}$	64 mm	Minimum diameter shaft shoulder
$D_{a\max}$	91 mm	Maximum diameter of housing shoulder
$r_{a\max}$	1.5 mm	Maximum fillet radius

Calculation factors

f_0	14.2	Calculation factor
-------	------	--------------------

Temperature range

T_{\min}	-20 °C	Operating temperature min.
T_{\max}	110 °C	Operating temperature max.